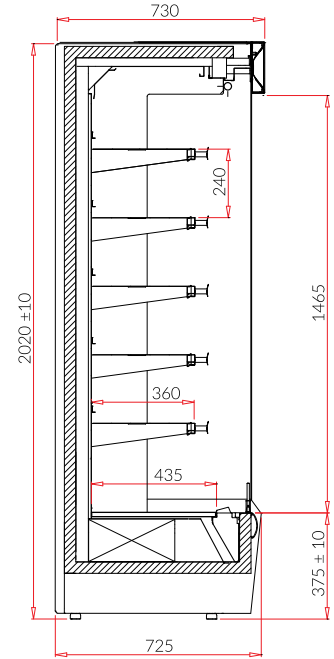
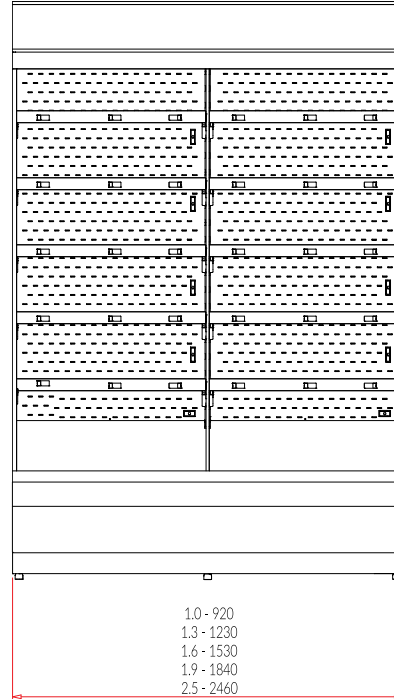


Wall Cabinets - I-Bali Ext



I-Bali Ext*

Technical parameters:

Model	Dimension (ext.) H x W x D [mm]	Display surface [m ²]	Shelves with low base	Weight [kg]
I-Bali Ext 1.0	2020 x 920 x 725	2,00	6	115
I-Bali Ext 1.3	2020 x 1230 x 725	2,70	6	145
I-Bali Ext 1.6	2020 x 1530 x 725	3,40	6	175
I-Bali Ext 1.9	2020 x 1840 x 725	4,10	6	215
I-Bali Ext 2.5	2020 x 2460 x 725	5,50	6	255

* - Picture above presents unit with either some or all available extras. Please note that the look of basic version of cabinet, or one of your choice, may vary from presented.

Wall Cabinets - I-Bali Ext



Description:

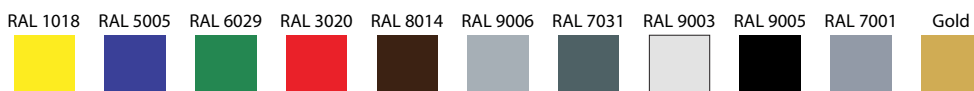
- temperature range +2 / +8°C
- preferred ambient temperature +16 / +25°C
- power supply 230V / 50Hz
- prepared to work with external condensing unit
- ecological polyurethane insulation
- base, front and top panel made of power coated steel - white
- interior and shelves in white colour
- adjustable shelves
- 5 shelf levels
- interior top LED lighting - white
- price strips - choice of colours
- electronic control with digital temperature display
- automatic defrost
- night blind - manual
- plastic bumper - choice of colours
- 1 year full warranty service and after warranty service provided

I-Bali Ext*

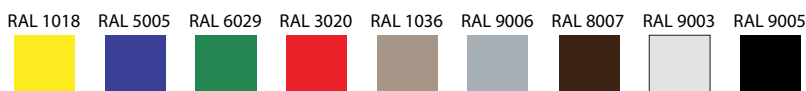
Available options:

- multiplexing
- front panel colour - optional colours
- base colour - optional colours
- front made of stainless steel
- base made of stainless steel
- top panel made of stainless steel
- top panel made of perspex with LED illumination - choice of colours
- interior and shelves made of stainless steel
- interior and shelves made of acid resistant stainless steel
- top mirror instead of top shelf level
- ABS side walls with glass - choice of colours
- ABS side full walls - choice of colours
- mirrors in side walls
- LED lights under each shelf
- vegetable baskets instead of one level of shelves
- meat hooks instead of 2 upper shelf levels
- shelf edge risers
- defrost heaters in evaporator

Choice of colours:



Optional colours:



* - Picture above presents unit with either some or all available extras. Please note that the look of basic version of cabinet, or one of your choice, may vary from presented.